

S 400

(SKU: LANDISS403)

ORTHO SANDER



Operator Manual

Manufactured by



800 rue Rossiter, Saint-Jean-sur-Richelieu (QC) Canada J3B 8J1
www.landisinternational.ca info@landisinternational.ca
T.(450)359-8800 TF. 1-800-634-0806 F. (450) 359-9619

INTRODUCTION

The Landis Sander is a compact, durable machine designed for fast, complete finishing work. It will deliver efficient, dependable service when used correctly and with care. As with any piece of specialized equipment, for best performance the manufacturer's instructions must be followed.

BEFORE USING THE LANDIS MACHINES, READ OPERATING INSTRUCTIONS MANUAL :

1. KEEP GUARDS IN PLACE and in working order.
2. Always DISCONNECT ELECTRICAL SOURCE before adjustments or servicing the machine.
3. REMOVE ADJUSTING KEYS AND WRENCHES. Form habit of checking to see that keys and adjusting wrenches are removed from tool before turning it on.
4. KEEP WORK AREA CLEAN. Cluttered areas and benches invite accidents.
5. DON'T USE IN DANGEROUS ENVIRONMENT. Don't use power tools in damp or wet locations or expose them to rain. Keep work area well lighted.
6. KEEP CHILDREN AWAY. All visitors should be kept safe distance from work area.
7. MAKE WORKSHOP KID PROOF with padlocks, master switches, or by removing starter keys.
8. DON'T FORCE TOOL. It will do the job better and safer at the rate for which it was designed.
9. USE RIGHT TOOL. Don't force tool or attachment to do a job for which it was not designed.
10. DO NOT USE EXTENSION CORD.
11. WEAR PROPER APPAREL. Do not wear loose clothing, gloves, neckties, rings, bracelets, or other jewellery which may get caught in moving parts. Nonslip footwear is recommended. Wear protective hair covering to contain long hair.
12. ALWAYS USE SAFETY GLASSES. Also use face or dust mask if cutting operation is dusty. Everyday eyeglasses only have impact resistant lenses, they are NOT safety glasses.
13. SECURE WORK. Use clamps or a vise to hold work when practical. It's safer than using your hand and it frees both hands to operate tool.
14. Make sure machine is PROPERLY GROUNDED.
15. DON'T OVERREACH. Keep proper footing and balance at all times.
16. MAINTAIN TOOLS WITH CARE. Keep tools sharp and clean for best and safest performance. Follow instructions for lubricating and changing accessories.
17. DISCONNECT TOOLS before servicing; when changing accessories, such as blades, bits, cutters, and the like.
18. REDUCE THE RISK OF UNINTENTIONAL STARTING. Make sure switch is in off position before plugging in.
19. USE RECOMMENDED ACCESSORIES. Consult the owner's manual for recommended accessories. The use of improper accessories may cause risk of injury to persons.
20. NEVER STAND ON TOOL. Serious injury could occur if the tool is tipped or if the cutting tool is unintentionally contacted.
21. CHECK DAMAGED PARTS. Before further use of the tool, a guard or other part that is damaged should be carefully checked to determine that it will operate properly and perform its intended function -- check for alignment of moving parts, binding of moving parts, breakage of parts, mounting, and any other conditions that may affect its operation. A guard or other part that is damaged should be properly repaired or replaced.
22. DIRECTION OF FEED. Feed work into a blade or cutter against the direction of rotation of the blade or cutter only.
23. NEVER LEAVE TOOL RUNNING UNATTENDED. TURN POWER OFF. Don't leave tool until it comes to a complete stop.
24. Dust generated is FLAMMABLE – DO NOT SMOKE when using Finisher.
25. Keep generators and covers IN PLACE and in proper working order.
26. Observe all SAFETY WARNINGS on the machine and in this manual.

OPERATING THE LANDIS S 400



RISK OF INJURY

- DISCONNECT TOOLS BEFORE SERVICING AND LOCK THE SWITCHES.
- EYE PROTECTION SHOULD ALWAYS BE WORN BY THE OPERATOR AND OTHERS IN THE WORK AREA WHEN THE SANDER IS IN USE.
- EYE PROTECTION IS REQUIRED FOR PROTECTION FROM FLYING DEBRIS AND DUST, WHICH COULD CAUSE EYE INJURY.
- AVOID KICK BACK BY SANDING IN ACCORDANCE WITH THE DIRECTIONAL ARROWS.
- CLOSE SANDING DOORS BELT BEFORE OPERATING THE MACHINE.
- CLOSE THE MAIN ACCESS DOOR AND FAN COVER BEFORE OPERATING THE MACHINE.

INSTALLATION

The Landis Sander should be located on a flat, firm surface, in an area free of obstructions that could interfere with the safe operation of the equipment. The Sander should be positioned and leveled on the 4 rubber pads to obtain quiet operation with a minimum of vibration.



- ALL ELECTRICAL WORK MUST BE PERFORMED BY A QUALIFIED ELECTRICIAN AND MUST CONFORM TO ALL STATE AND LOCAL ORDINANCES.
- DO NOT, UNDER ANY CIRCUMSTANCE, TAMPER WITH, MODIFY, OR ADAPT THE ELECTRICAL PLUG AND CORD PROVIDED WITH THIS MACHINE.

ELECTRICAL CONNECTIONS

Electrical connection may be made by either plugging the provided electrical cord into an appropriately wired electrical socket, or by wiring the machine directly into an electrical disconnect box. The customer must ensure that the voltage is 230 V.



- IF THE ELECTRICAL CORD, PLUG OR WIRING SHOULD BECOME FRAYED OR DAMAGED, REPLACE IT AT ONCE. DO NOT ATTEMPT TO OPERATE THE MACHINE WITH FAULTY WIRING AS IT COULD RESULT IN SEVERE INJURY OR DEATH.

NOTE: REFER TO THE MACHINERY IDENTIFICATION PLATE TO DETERMINE THE ELECTRICAL SPECIFICATIONS OF THIS MACHINE IN RESPECT TO VOLTAGE, PHASE AND AMPERAGE REQUIREMENTS.

- DO NOT START LANDIS MACHINE BEFORE CHECKING FOR PROPER SANDING BELT TRACKING.

ELECTRICAL CONTROL BOX

The electrical control box located in front of the machine houses. The motor controls the Sander, except for the Naumkeag motor that runs on 115 volts (available in option). The motor is thermally protected. In case of overload, the relay will trip and shut the motor off. The overload on the motor must be reset after a short period of time.

GROUNDING INSTRUCTIONS

In the event of a malfunction or breakdown, grounding provides a path of least resistance for electric current to reduce the risk of electric shock. This tool is equipped with an electric cord having an equipment-grounding conductor and a grounding plug. The plug must be plugged into a matching outlet that is properly installed and grounded in accordance with all local codes and ordinances.

Do not modify the plug provided -- if it will not fit the outlet, have the proper outlet installed by a qualified electrician.

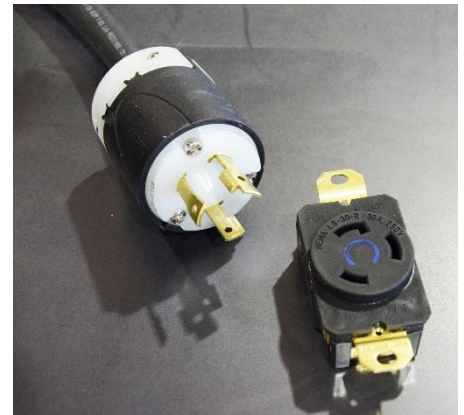
Improper connection of the equipment-grounding conductor can result in a risk of electric shock. The conductor with insulation having an outer surface that is green with or without yellow stripes is the equipment-grounding conductor. If repair or replacement of the electric cord or plug is necessary, do not connect the equipment-grounding conductor to a live terminal.

Check with a qualified electrician or service personnel if the grounding instructions are not completely understood, or if in doubt as to whether the tool is properly grounded.

Use only 3-wire extension cords that have 3-prong grounding plugs, **A**, and 3-pole receptacles that accept the tool's plug, **B**.

Repair or replace damaged or worn cord immediately.

Make sure the tool is connected to an outlet having the same configuration as the plug. No adapter is available or should be used with this tool. If the tool must be reconnected for use on a different type of electric circuit, the reconnection should be made by qualified service personnel; and after reconnection, the tool should comply with all local codes and ordinances.



A

B

LOCKOUT PROCEDURES

PREPARATION

1. Notify all affected workers that a lockout is required and the reason for the lockout of the machine.



MACHINE OR EQUIPMENT SHUTDOWN AND ISOLATION

1. If the equipment is operating, shut it down by the normal stopping procedure (turn off the switch). We recommend to install a padlock to the Electrical control panel.
2. Disconnect the electrical plug from the electrical source.

APPLICATION OF LOCKOUT / TAGOUT

1. Lock out and tag the switch with an assigned, individual lock. A worker will not be protected unless he/she uses his/her own padlock.
2. If more than one worker is working on the same piece of equipment at the same time, each one should lock out the equipment, by placing a personal lock and tag on the group lockout device when he/she begins work, and should remove those devices when he/she stops working on the machine or equipment.
3. Locks and tags should clearly show the name of the person who applied the device, the date, and the reason for the lockout. This identifies who is servicing the machinery or equipment. In a multiple lockout/tagout situation, it will also identify any worker(s) who may not have finished working.
4. Locks and tags must be durable enough to withstand the environment in which they are to be used. Information on the locks and tags should remain legible.
5. Locks must be substantial enough to prevent removal without the use of excessive force. Tags must be substantial enough to prevent accidental or inadvertent removal.

6. Both locks and tags are to be standardized by color, shape, or size. Tags should be easily recognized and provide appropriate information about the lockout.

RELEASE FROM LOCKOUT / TAGOUT

1. Before locks and tags are removed and electricity is restored to the machine, inspect the work area to ensure that non-essential items have been removed and that machine components are operationally intact.
2. Ensure workers are a safe distance from any potential hazard.
3. The lock and tag should be removed from each energy-isolating device by the worker who applied the lock and tag.
4. Notify affected workers that locks and tags have been removed.

START-UP



- **EYE PROTECTION SHOULD ALWAYS BE WORN BY THE OPERATOR AND OTHERS IN THE WORK AREA WHEN SETTING UP THE MACHINE. EYE PROTECTION IS REQUIRED FOR PROTECTION FROM FLYING DEBRIS AND DUST, WHICH COULD CAUSE EYE INJURY.**



Main Switch
OFF



Main Switch
ON



Start/Stop
Switch



Emergency
Button

To activate:

Push the button to stop the machine immediately.

To deactivate:

Turn the knob in the direction of the arrows indicated.

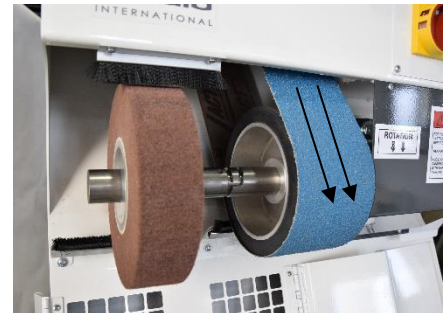
Before shipment, your Landis machine were checked at the factory for proper adjustment and operation. However, due to the possibility of jarring or damage during handling and shipping, it is necessary to check that the machine is in proper working order before use.



- **BEFORE INITIAL START UP, TURN SANDING BELTS BY HAND TO ENSURE THAT ALL PARTS ARE FREE. DO NOT START SANDER BEFORE CHECKING FOR PROPER SANDING BELT TRACKING.**

BEFORE CONNECTION TO AN ELECTRICAL POWER SUPPLY

1. Check that the main switch is off.
2. Rotate the sanding belts to see that all parts are free and not binding. Continue for one complete rotation of the sanding belt, checking both belts for tears or other damage. You can tell that one complete revolution has been made when the joint of the sanding belt has gone by the front pulley twice.
3. If you have the option, rotate the Naumkeag head by hand to see that the sanding pad is not damaged and the shaft is not bent.



- **AS WITH ANY PIECE OF ELECTRICAL EQUIPMENT, THERE IS AN EVER PRESENT HAZARD OF ELECTRICAL SHOCK WHEN OPERATING OR TOUCHING THE LANDIS MACHINE. ENSURE THE MACHINE IS PROPERLY GROUNDED AT ALL TIMES.**
- **DO NOT FORCE THE EQUIPMENT. IT WILL DO THE JOB BETTER AND SAFER AT THE RATE FOR WHICH IT WAS DESIGNED.**

BEFORE STARTING THE MOTOR: CHECK THE SANDING BELTS ARE TRACKING PROPERLY, AS FOLLOWS

1. "Jog" the motor by quickly hitting the "start" and "stop" switch such that the belt turn slowly, then stop.
2. Continue jogging the motor and check each belt to see that it stays roughly centered on its forward pulley.



3. **Adjustable belt tensioner on the top front door:** handle is located to the left of the sanding belt. Clockwise rotation of the adjustments moves the belt to the left and counter clockwise rotation moves the belt to the right. Adjust accordingly as required so that each belt is tracking properly while running slowly.
4. "Jog" sanding motor switch. Fine adjust the tracking of the belt at full speed.

Front top door



- **AS THE INDIVIDUAL SANDING BELTS WEAR FROM USE, IT WILL BECOME NECESSARY TO MAKE MINOR TRACKING ADJUSTMENTS TO KEEP THE SANDING BELTS CENTERED.**

INSTRUCTION FOR SANDING BELT

1. While grinding be careful that you avoid any contact to the parallel moving band. An injury of your hand or a damage of the material can result.
2. After working with the sanding belt it must be switched off immediately.
3. Before starting the sanding belts check in any case:
 - Are sanding belts strained?
 - Is the dust suction switched one?
 - Is the respective suction vent open?

To have a efficient dust suction, keep open the appropriate vent.

For sanding metals, keep the trap close and do not use the dust suction.

Although the filter materials is fire proof impregnated the flying sparks could result in fire!

SANDING BELT REPLACEMENT



- **EYE PROTECTION SHOULD ALWAYS BE WORN BY THE OPERATOR AND OTHERS IN THE WORK AREA WHEN CHANGING SANDING BELT. EYE PROTECTION IS REQUIRED FOR PROTECTION FROM FLYING DEBRIS AND DUST, WHICH COULD CAUSE EYE INJURY.**

Sanding belts can be obtained in various grit to suit your needs and are easily changed.
(see accessories page 26)



- **SOME SANDING BELTS ARE CONSTRUCTED TO ROTATE IN ONE DIRECTION ONLY. CHECK ARROW INSIDE SANDING BELT FOR ROTATION. INCORRECT INSTALLATION CAN CAUSE SUDDEN BELT FAILURE RESULTING IN SERIOUS INJURY TO OPERATOR AND OTHERS IN THE WORK AREA.**

TO REPLACE 4" WIDE BELT:

1. Open sanding belt door on the top in front of the machine (when facing the machine).
2. Release pressure on the belt by pulling the grey handle located in front of the machine.
3. Reach in access door and remove the far end of the belt off the idler first.
4. Remove built-up dust on the rubber sanding wheel and on the idler drum.
5. To install the new sanding belt (follow the arrow indication below of the sending belt), reverse the procedure described above, then readjust the tracking as described earlier in section "start-up" (page 7).



The sand paper can be obtained in various grit to suit your needs and are easily changed.

- Sandpaper 24 grit, SKU: 45924A
- Sandpaper 40 grit, SKU: 45940A
- Sandpaper 80 grit, SKU: 45980A
- Sandpaper 100 grit, SKU: 459100A
- Sandpaper 120 grit, SKU: 459120A



- DO NOT START LANDIS MACHINE BEFORE CHECKING FOR PROPER SANDING BELT TRACKING.
- DO NOT OPERATE MACHINE WITH ACCESS DOOR OPEN
- NEVER LEAVE MACHINE RUNNING WHILE UNATTENDED. TURN IT OFF.
- AS INDIVIDUAL SANDING BELTS WEAR FROM USE, IT WILL BECOME NECESSARY TO MAKE MINOR TRACKING ADJUSTMENTS TO KEEP SANDING BELTS CENTERED.

NAUMKEAG (in option)

It is possible to adjust the blasting angle using the handle on the right of the motor. Open the naumkeag trap before using this tool.



OPEN DUST VENT

Pull down the handle at the right of the machine to open the dust vent. Do the reverse procedure to close it.



Close



Open

SAND PAPER REPLACEMENT

The sand paper can be obtained in various grit to suit your needs and are easily changed.

- Sandpaper 80 grit, SKU: PN80
- Sandpaper 100 grit, SKU: P100
- Sandpaper 120 grit, SKU: PN120

TO REPLACE THE SAND PAPER

6. Unscrew the nut.
7. Move up the washer and change de sand paper.
8. If necessary, it is possible to change the pad according to its wear. Repeat the procedure for changing paper.



DUST BAG AND DUST DRAWER

Dust composed of leather, rubber and plastic is combustible and can readily be set on fire by a lighted cigarette or sparks. This can occur whether the dust is in the dust bag or the machine duck work leading to the dust bag. **Do not sand or grind metal with the sander.**

The cleaner you keep the dust bag, the less likely you are to burn a hole in it. Failure to shake the dust bag and empty the dust drawer daily will not only increase this likelihood, but will also cause a significant loss of dust extraction from the sanding areas.

- ✓ *Maintenance is important, see our recommendations page 13 & 17.*



ACCESSORIES



- **EYE PROTECTION SHOULD ALWAYS BE WORN BY THE OPERATOR AND OTHERS IN THE WORK AREA WHEN USING THE ACCESSORIES SUPPLIED WITH THE LANDIS FINISHER. EYE PROTECTION IS REQUIRED FOR PROTECTION FROM FLYING DEBRIS AND DUST, WHICH COULD CAUSE EYE INJURY.**

ACCESSORIES ON QUICK CHANGE BAYONET FITTING

Both ends of the sanding shaft are machined to accommodate bayonet fitting (quick change). Extra tools and sanding wheels are available on request. (see accessories page 25-26)

When removing the quick change fittings, use the special black **spanner wrench** (SKU: CCL) supplied with the machine. To remove, engage the spanner in the hole near the end of the bayonet fitting and apply a sharp rap downward.

Before putting on a fitting be sure the opening ends are cleaned. Hand tightening is sufficient to hold the fitting in proper position.

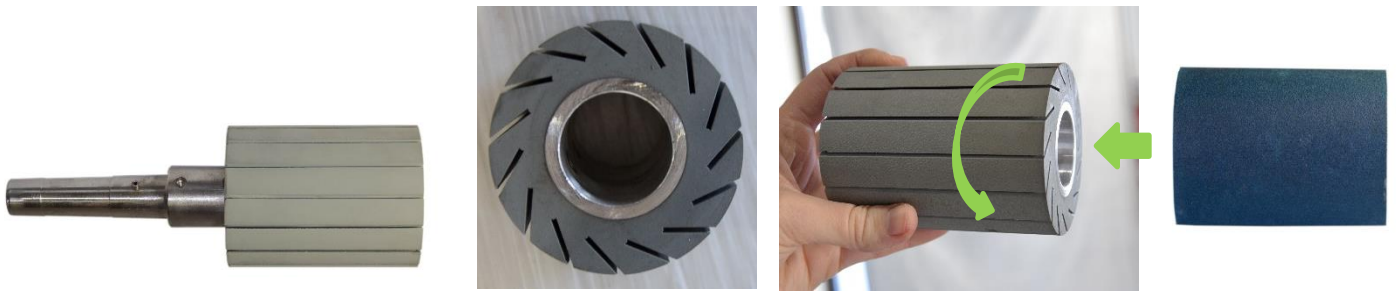
N.B. When properly mounted, the bayonet fitting will tighten itself by rotating it in the socket in the opposite direction of the sanding belt rotation.



- **FAILURE TO PROPERLY MOUNT THE ADAPTOR WILL RESULT IN FLYING APART AND POSSIBLE INJURY TO THE OPERATOR AND OTHERS IN THE WORK AREA.**
- **THESE QUICK CHANGE ACCESSORIES SHOULD BE PROPERLY ENGAGED ON THE SHAFT TO ENSURE SAFE OPERATION. MAKE SURE PIN ON SHAFT ENGAGES THE ADAPTOR CORRECTLY.**

EXPANDING WHEEL ON BAYONET

SANDPAPER REPLACEMENT



SKU: 317863

1. For replace the sandpaper, make sure the grooves are at the same side of the pictures above. It is not necessary to remove the bayonet to slide the new sand paper on the expanding wheel.
2. For help the installation of the new sandpaper, slide and turn it at the same direction of the grooves.

The sand paper can be obtained in various grit to suit your needs and are easily changed.

- Sandpaper 24 grit, SKU: 493824
- Sandpaper 40 grit, SKU: 493840
- Sandpaper 100 grit, SKU: 4938100
- Sandpaper 120 grit, SKU: 4938120

MAINTENANCE

A properly maintained machine will give you years of satisfactory service, whereas an abused machine will not. We strongly recommend that you observe the following procedures for your own benefit and safety.



EYE PROTECTION SHOULD ALWAYS BE WORN BY THE OPERATOR AND OTHERS IN THE WORK AREA WHEN SERVICING THE MACHINE. EYE PROTECTION IS REQUIRED FOR PROTECTION FROM FLYING DEBRIS AND DUST, WHICH COULD CAUSE EYE INJURY.

DAILY AND WEEKLY MAINTENANCE

Clean your machine daily.

DUST BAG

Shake dust bag and empty dust drawer daily.

After cleaning the machine, turn dust extraction motor off. While the motor is coasting to a stop, shake bag vigorously.

DUST DRAWER

Empty dust drawer daily.

1. After cleaning the machine, turn dust extraction motor off.
2. Open the front door and turn the 2 handles (lift and turn a quarter turn) to open dust drawer remove the large dust tray and remove dust.
3. Check seal around the drawer box and replace if damaged or if it is not sealed properly. It's possible to adjusted with the font drawer handles, the pressure on the seal.
4. Check seal between the end of the blower dust bag.
5. When the dust drawer is full, dust may spill when the drawer is removed. Vacuum out the bottom of the machine before sliding back the drawer.



Note: The cleaner you keep the dust bag, the less likely you are to burn a hole in them. Failure to shake the dust bag and empty the dust drawer daily will only increase this likelihood, but also cause a significant loss of dust extraction the sanding areas.

How to adjust the handle pressure on the seal?

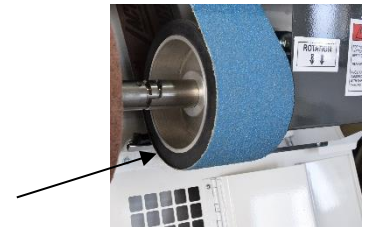
See the drawing page 24.



- **DUST FROM SANDER IS COMBUSTIBLE. DO NOT SMOKE WHILE CLEANING THE MACHINE AND DUST COLLECTOR.**
- **DAMAGED DUST BAG OR DUST DRAWER SEALS WILL ALLOW THE ESCAPE OF COMBUSTIBLE MATERIALS CAUSING A FIRE HAZARD AROUND THE MACHINE.**
- **CHECK DAMAGED PARTS. BEFORE FURTHER USE OF A TOOL, GUARD OR OTHER PART THAT IS DAMAGED, CHECK CAREFULLY TO DETERMINE THAT IT WILL OPERATE PROPERLY AND PERFORM ITS INTENDED FUNCTION. CHECK FOR MOUNTING OR ANY OTHER CONDITION THAT MAY AFFECT ITS OPERATION. A TOOL, GUARD OR OTHER PART THAT IS HARMFULLY DAMAGED SHOULD BE PROPERLY REPAIRED OR REPLACED.**
- **IF THE ELECTRICAL CORD, PLUG OR WIRING SHOULD BECOME FRAYED OR DAMAGED, REPLACE IT AT ONCE.**
- **REPLACE ALL DOORS AND GUARDS BEFORE OPERATING THE MACHINE.**
- **DO NOT OPERATE MACHINE WITH SANDER HOUSING DOORS OPEN.**
- **AFTER MAKING ADJUSTMENTS, REMOVE ALL WRENCHES AND OTHER TOOLS BEFORE OPERATING THE SANDER.**
- **USE EXTRA CAUTION WHEN STARTING THE SANDER FOR THE FIRST TIME AFTER INSTALLING A NEW TOOL OR PART.**

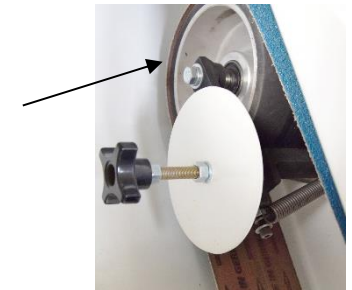
RUBBER AND FELT WHEEL

Clean the rubber/felt surface to avoid accumulation of dust. If there is too much accumulation, the sanding belt won't stay on the rubber/felt wheel and you will have problems with tracking.



IDLER WHEEL

Clean the flat surface to avoid accumulation of dust with a scraper.



MOTOR

Clean each side of the motor and the wheels with a vacuum cleaner or air jet.

If you believe that the motor presents an anomaly, please contact Landis customer service at 1 800 634-0806.



- **BE ABSOLUTELY CERTAIN TO RECONNECT THE ELECTRICAL WIRE TO THE PROPER TERMINALS.**
- **FAILURE TO DO SO CAN RESULT IN IMPROPER MOTOR ROTATION, A RUINED MOTOR, FIRE, OR INJURY TO YOURSELF.**

MONTHLY MAINTENANCE

RUBBER SANDING WHEEL

Check the rubber sanding pulley surface for any accumulation of dust. Clean if necessary. Replace the wheel if worn.

DUST DAMPERS

Check for proper opening and closing of all dust dampers, removing and cleaning any accumulation around the openings.



V-BELT ADJUSTMENT AND REMOVAL

The V-Belt on the Landis Sander should be checked monthly for proper tension and general condition. Loose V-Belt will decrease the power available to the various tools and lower the efficiency of your Sander.

If you discover a worn or frayed belt, replace it now so it won't break at an inconvenient time.



- **DISCONNECT ELECTRICAL POWER SUPPLY BEFORE WORKING ON THE MACHINE.**

V-BELT TENSION

Check tension and adjust if necessary

1. Disconnect the electrical power supply.
2. Check the tension of the V-belt running to the motor; it should depress approximately 12 mm (1/2") when pressed in the middle with moderate force.
3. Rotate the V-belt by hand, visually inspecting the belt for damage.
4. If tensions or conditions are bad, adjust tension or replace V-belt.



After making adjustments, remove all wrenches and other tools before operating the Sander.



- **DO NOT OVER TIGHTEN V-BELT, AS TO DO SO WILL CAUSE RAPID BELT WEAR AND PREMATURE BEARING FAILURE.**
- **AFTER MAKING ADJUSTMENTS, REMOVE ALL WRENCHES AND OTHER TOOLS BEFORE OPERATING THE FINISHER.**

3 MONTHS MAINTENANCE



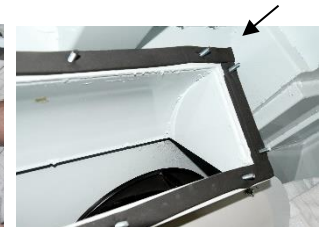
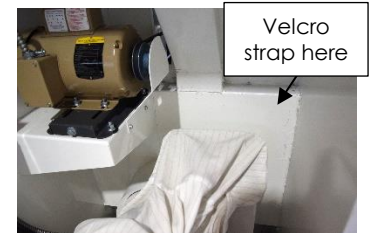
- **BEFORE REMOVING DUST BAG, DISCONNECT ELECTRICAL POWER SUPPLY.**

DUST BAG

Once 3 months, you should remove the dust bag for a thorough cleaning.

The dust bag is removed by:

1. Before removing dust bag, disconnect electrical power supply.
2. Remove the velcro strap (888443LG) from the blower entry.
3. Unscrew with a ratchet or an 7/16 key the 12 lock nuts and the metal bars at the exit the dust drawer and remove them.
4. Remove the dust bag.
5. You can use a vacuum cleaner to clean both inside and outside of the dust bag.
6. 2 solutions for cleaning the bag:
 - Dry cleaning
or
 - Cold water and drying flat
7. Verify if the bag for holes or torn.
8. Verify the of the seal around the exit of the blower. If damaged, replace it.
9. Repeat the opposite steps to reposition the bag.



LUBRIFICATION

Your Landis Finisher is equipped with sealed bearings, which should be replaced if they ever wear out.

Other parts should not require any lubrication, only cleaning the parts is required.

Lubrication will only attract dust and would be more harmful than helpful.

TO REPLACE

NAUMKEAG MOTOR (IN OPTION)

If you believe that the motor presents an anomaly, please contact Landis customer service at 1 800 634-0806.

TROUBLE SHOOTING

LOST OF SUCTION IN DUST COLLECTION

1. Dust drawer may be full. Empty it.

2. Blower fan may be clogged. Remove the dust container. Remove the trap and clean the blower fan. Replaced the trap and the dust container.



3. Sander too close to the back wall. Your Sander should be 6" distance from the wall.

BELT CREEPS

Belt worn out or frayed one side. Install new belt.

MOTOR STOPS WITH SWITCH ON

CAUTION! TURN SWITCH OFF IMMEDIATELY

1. Too much equipment operated on same circuit on which Landis machine is connected. Check circuit breaker or fuse box.
2. **Refer to the lockout procedures before the next step (page 5).**
3. An overload may have caused the thermal overload protector in motor to shut off current. Be sure sander is off, then find and eliminate cause for overload.

Some motors are equipped with manual Re-Set thermal overload protector wait at least 30 minutes, then firmly press Re-Set button on motor with eraser end of pencil or a small blunt dowel. After approximately 30 minutes you should be able to hear or feel overload protector click in when pushed to reset. After Re-Set clicks in, turn the main switch ON and start (Stop/Start switch) the machine.

Sandina Motor

**Re-Set
button**
at the left
side of the
motor



Blower Motor

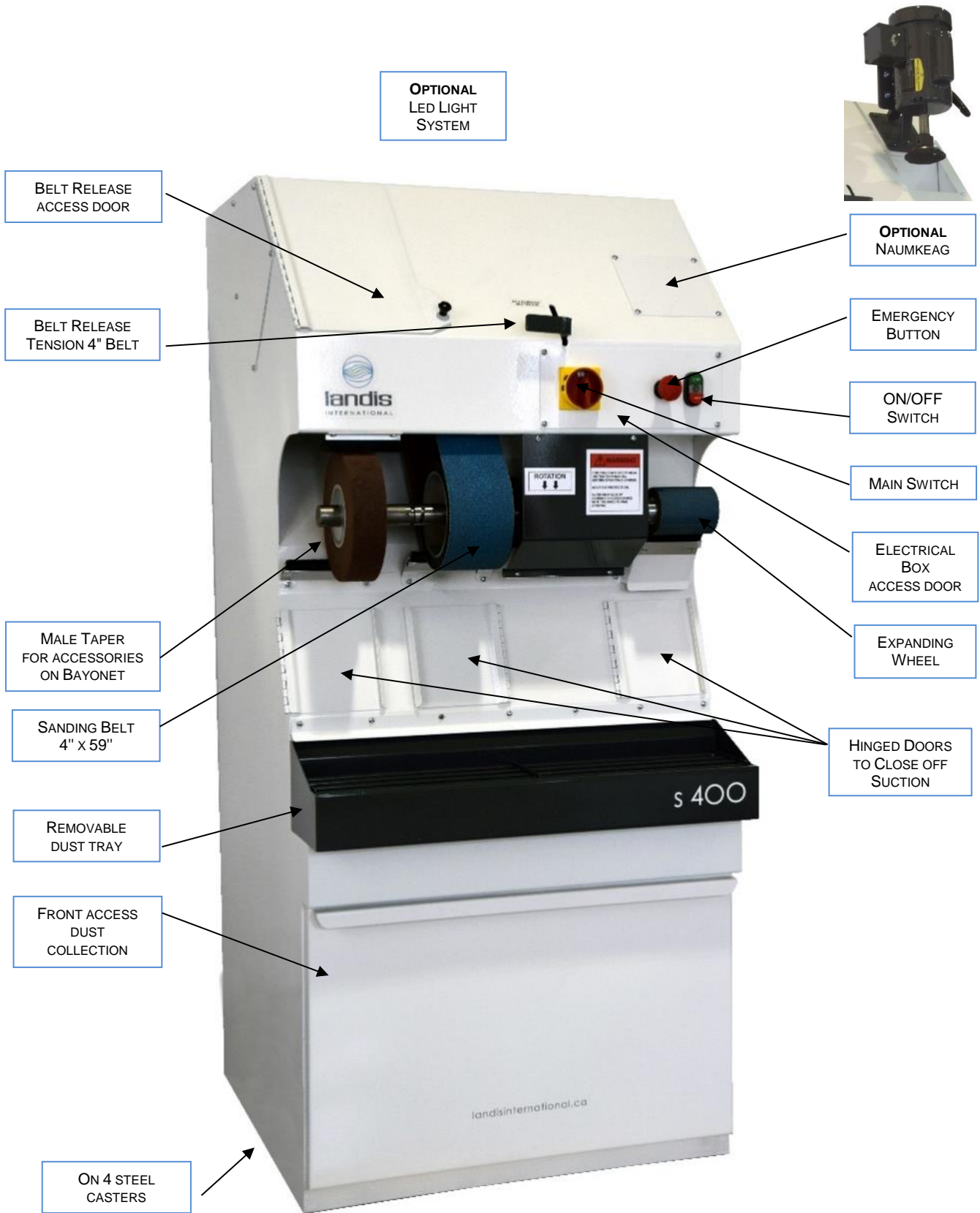
**Re-Set
button**
at the right
side of the
motor



After this procedure, the motor should run normally. If the motor has no Re-Set button, wait 30 minutes that the engine would shrink. After this time, the engine should reset itself.

If you believe that the motor presents an anomaly, please contact Landis customer service at 1 800 634-0806.

SANDER S 400 (SKU: LANDISS403)



OPTIONAL
LED LIGHT
SYSTEM



OPTIONAL
NAUMKEAG

BELT RELEASE
ACCESS DOOR

EMERGENCY
BUTTON

BELT RELEASE
TENSION 4" BELT

ON/OFF
SWITCH



MAIN SWITCH



ELECTRICAL
BOX
ACCESS DOOR

EXPANDING
WHEEL

MALE TAPER
FOR ACCESSORIES
ON BAYONET

SANDING BELT
4" x 59"

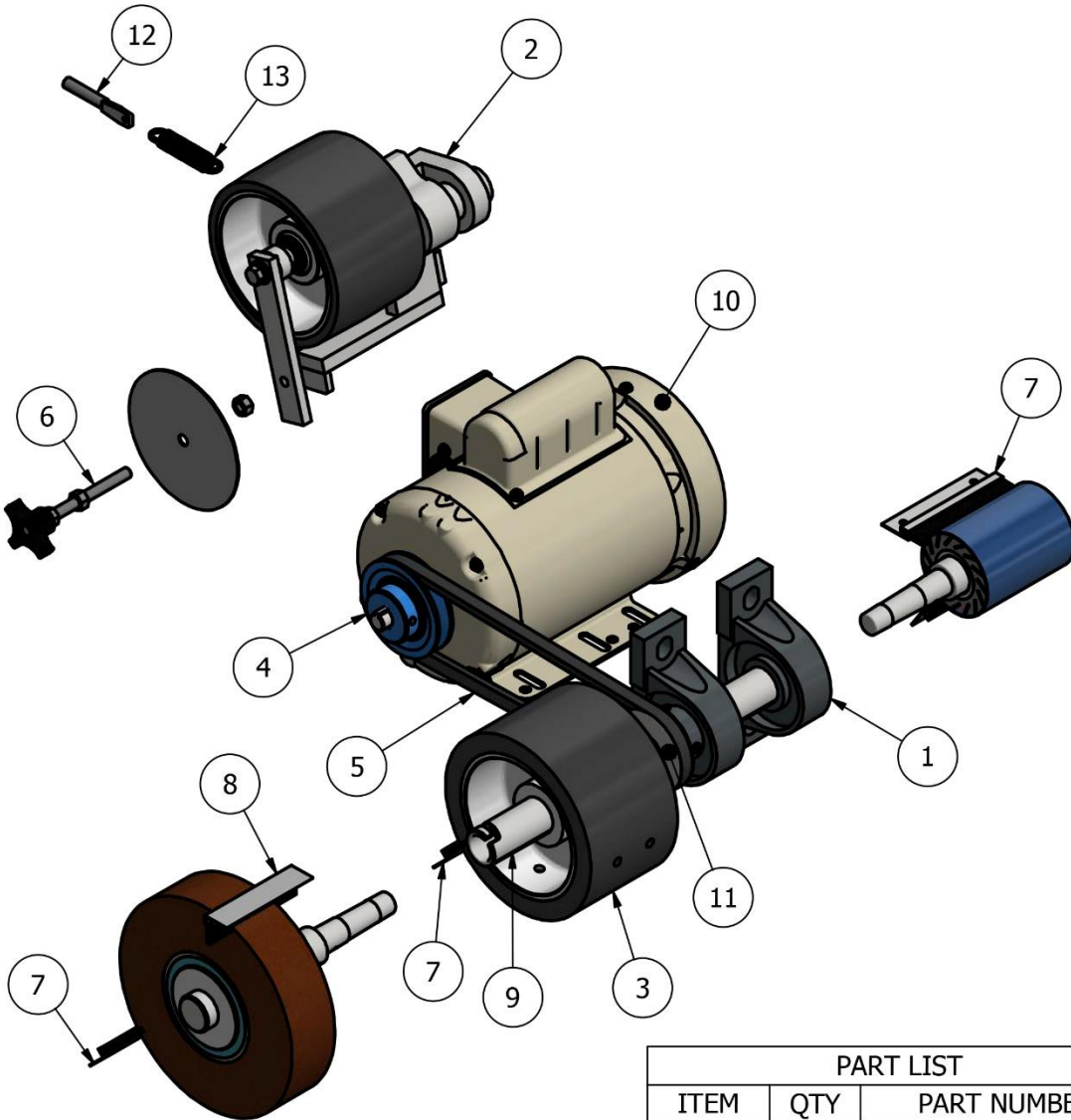
HINGED DOORS
TO CLOSE OFF
SUCTION

REMOVABLE
DUST TRAY

FRONT ACCESS
DUST
COLLECTION

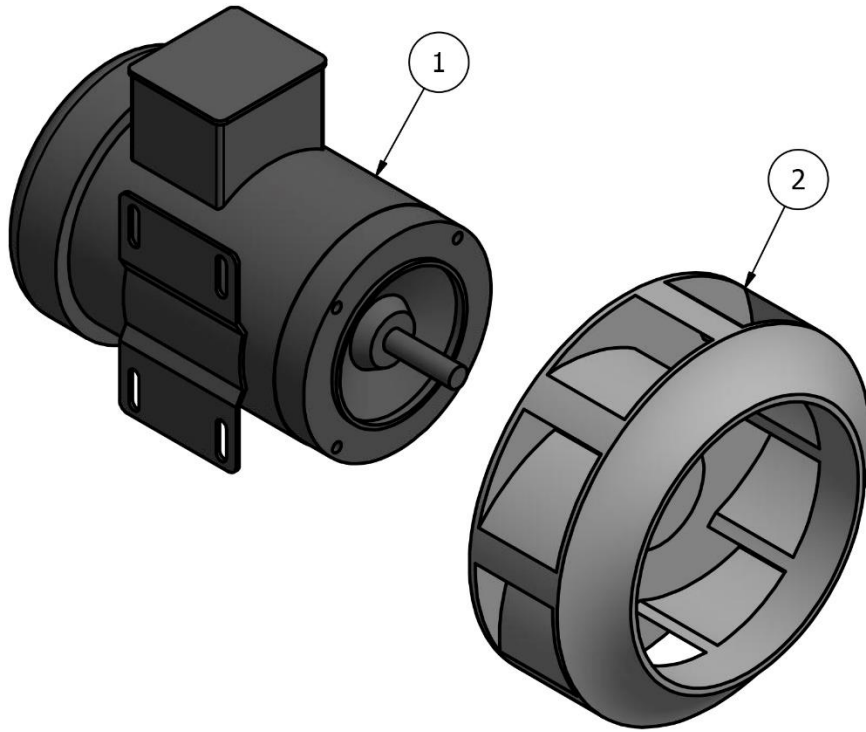
ON 4 STEEL
CASTERS

PARTS OF THE SANDING SYSTEM



PART LIST		
ITEM	QTY	PART NUMBER
1	2	UCP2071516
2	1	L402BC
3	1	SU1200422R
4	1	MA3558
5	1	C2330
6	1	MBBIS4021
7	4	NB403438IN (BRUSH)
8	1	NB403904IN (BRUSH)
9	1	MSS750
10	1	FDL3510M
11	1	AS301516
12	1	SU1800439
13	1	B669M

PARTS OF THE DUST COLLECTOR SYSTEM



PART LIST		
ITEM	QTY	PART NUMBER
1	1	G390 (BLOWER)
2	1	P10513 (CCW)

DRAWER HANDLE

NOTES:

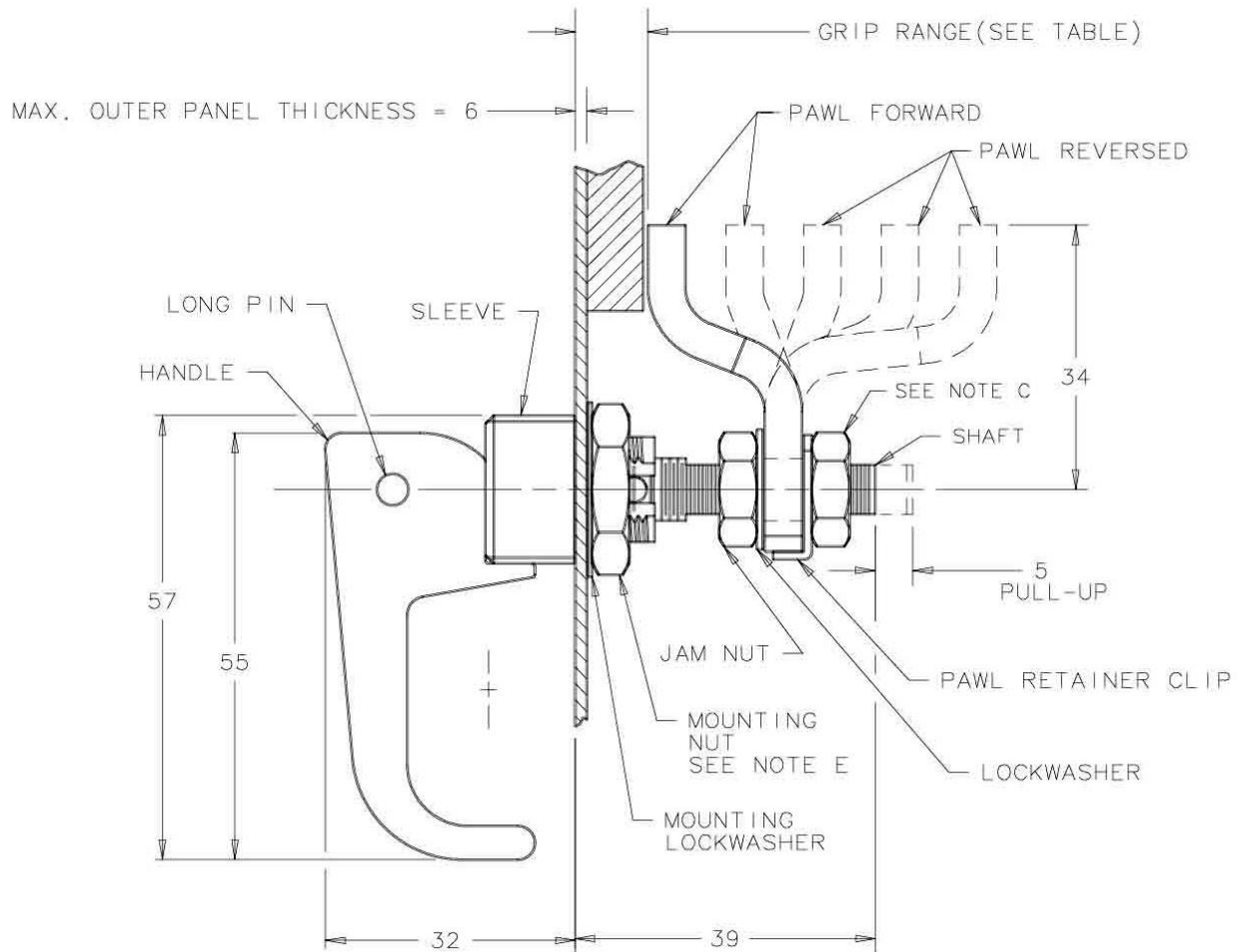
ASSEMBLE AS SHOWN AND ROTATE PAWL TO THE DESIRED LATCHING POSITION.

PAWL SHOULD BE ADJUSTED TO GRIP MEASUREMENT WITH THE DOOR OPEN AND THE HANDLE IN THE LATCHED POSITION. USE TWO WRENCHES TO TIGHTEN. INSTALLATION TORQUE 8.5 N-m (75 lbf-in) MAX.

MOUNTING NUT INSTALLATION TORQUE:

FOR OUTER PANEL THICKNESS UP TO 4.75mm: 7.3 N-m (65 lbf-in) MAX.

FOR OUTER PANEL THICKNESS 4.76mm TO 6mm: 4.5 N-m (40 lbf-in) MAX.



ACCESSORIES

S 400 - Accessories available (SKU: LANDISS403)

This attachment ... for those accessories:



Bayonet file 1/2-13
SKU: SU12071821213
for Landis, Supreme or Sutton



Small tapered rubber sanding cone 4" x 1"
SKU: RCS



Small Sanding cone,
24, 40, 80, 100 and 120 grit
SKU: RCS (24, 40, 80, 100 or 120)



Medium tapered rubber sanding cone 4" X 1 1/2"
SKU: RCM



Medium Sanding cone,
24, 40, 80, 100 and 120 grit
SKU: RCM (24, 40, 80, 100 or 120)



Large tapered rubber sanding cone 4" X 2"
SKU: RCL



Large Sanding cone,
24, 40, 80 and 120 grit
SKU: RCL (24, 40, 80 or 120)



Bedding rubber cone
2 1/2" X 1 3/4"
SKU: GRENADE



Grenade cover 40 grit
SKU: 86162070



Grenade cover 80 grit
SKU: 86162080



Grenade Diamond
SKU: GRENADED



Scotch brite polishing cone adapter
SKU: A162



Scotch brite polishing cone 4" X 1"
SKU: A163

No attachment needed



Rubber Wheel 4" X 3"
on bayonet mini grind pro
SKU: 317863B



Sandpaper Sleeves
Available in 24, 40, 80, 100
and 120 grit
SKU: 4938 (24, 40, 100 or 120)

ACCESSORIES

S 400 - Accessories available (SKU: LANDISS403)

Contact & Rubber Wheel



6'' x 4'' Expanding Wheel
SKU: TW42
for Landis, Supreme, Sutton
and Jack Master

Bayonets



Bayonet Fitting for Heel
Breaster
SKU: SU1207179
for Landis, Supreme or Sutton

Bayonets



US Tapered Male Bayonet 11''
(279mm)
SKU: SU1207182
for Landis, Supreme or Sutton

Heel Breaster



Heel breaster left no groove
SKU: CALH2
Heel breaster right no groove
SKU: CARH2

Heel Breaster



50 mm cone on bayonet
fitting
SKU: SU1210382

Sanding Wheel



8'' x 2'' Soft scotch brite wheel
SKU: SBW28
Soft scotch brite wheel on bayonet
fitting 8'' x 2''
SKU: SU1210291S
for Landis, Supreme, Sutton and
Jack Master

Sandpaper



Sanding Sleeves 4'' x 3''
24 grit, **SKU: 493824**
40 grit, **SKU: 493840**
100 grit, **SKU: 4938100**
120 grit, **SKU: 4938120**

Sandpaper



Sanding Belt 4'' x 59''
24 grit, **SKU: 45924A**
40 grit, **SKU: 45940A**
80 grit, **SKU: 45980A**
100 grit, **SKU: 459100A**
120 grit, **SKU: 459120A**

Sandpaper



Naumkeag Pad
80 grit, **SKU: PN80**
100 grit, **SKU: PN100**
120 grit, **SKU: PN120**
150 grit, **SKU: PN150**

and more...